


Warren Evans

ASSEMBLY GUIDE

New Upholstered and Wooden Space Saving Ottoman Bed Range



Chester Ottoman (Wooden)



Oxford Ottoman (Wooden)



Richmond Ottoman



Ludlow Ottoman



Stockport Ottoman



Minster Ottoman



Ripley Ottoman

PLEASE READ THE USER GUIDE BEFORE FOLLOWING THESE INSTRUCTIONS

Please make sure that all the surfaces that you lean any of our products on are clean and soft so as not to mark or damage the bed.

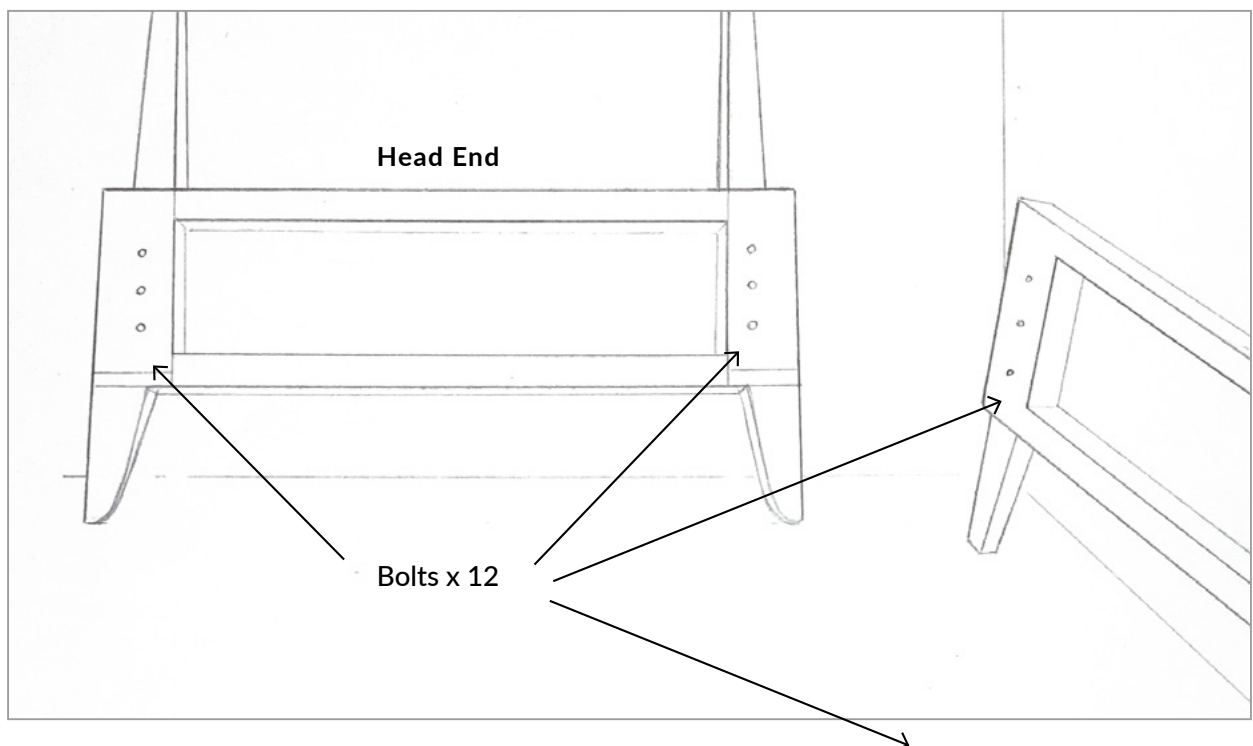
Please ensure that you wash your hands or that your gloves are very clean even after and during unwrapping the products, to not mark the finished product in any way. We wish you to have an excellent clean Warren Evans bed!

1. When unwrapping these beds please keep all the wrapping intact should it be needed for returns. Make a space in your bedroom for where the bed will actually be positioned.

Start the assembly process by leaning the head end against the wall of choice.

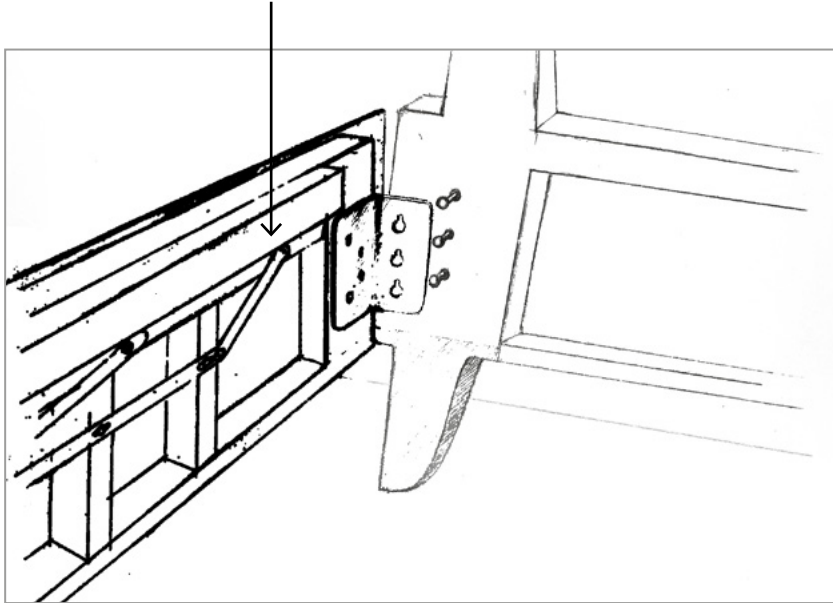
2. Open the 3 largest boxes, one of which contains both the foot end and the head end of the bed (this box also contains screws, bolts and allen key inside).

Place the head end on its feet leaning against your wall of choice. Place the foot end on its feet to one side. (Do not slide the headboard onto the head end until instructed to do so).

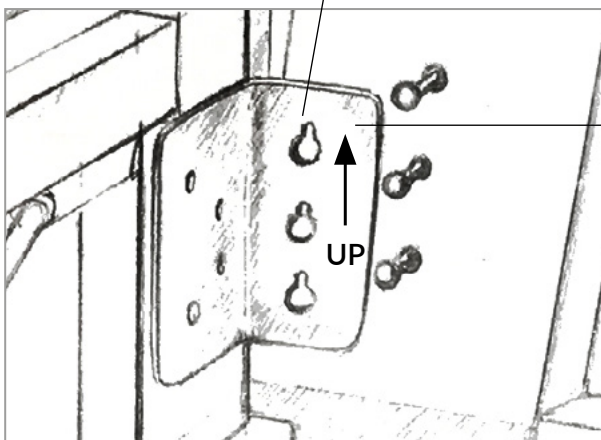
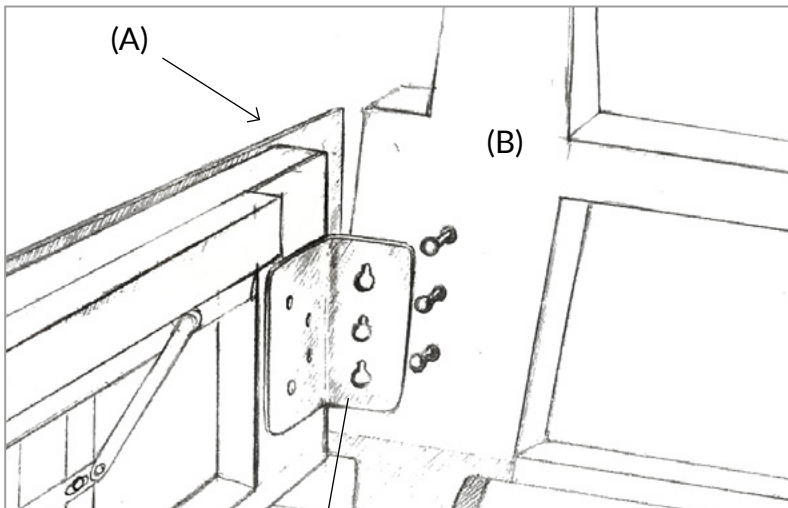


3. There are 12 bolts, 3 that go in each of the legs. Put each bolt in but only **one** full turn so that it's loosely connected.

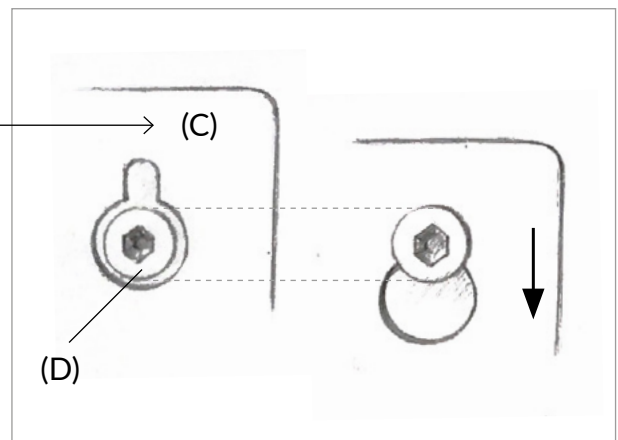
4. The metal ottoman lifting mechanism must go at the head end of the bed.



Make sure the exterior of the side (A) overlaps the head end (B).

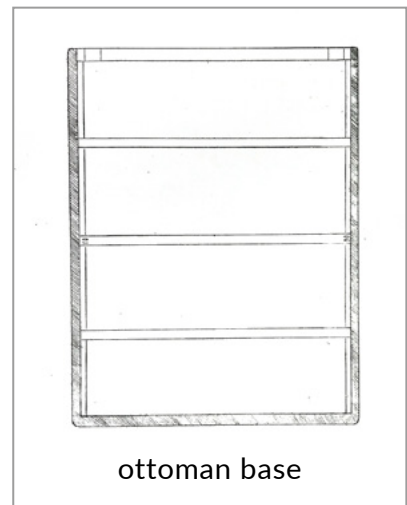
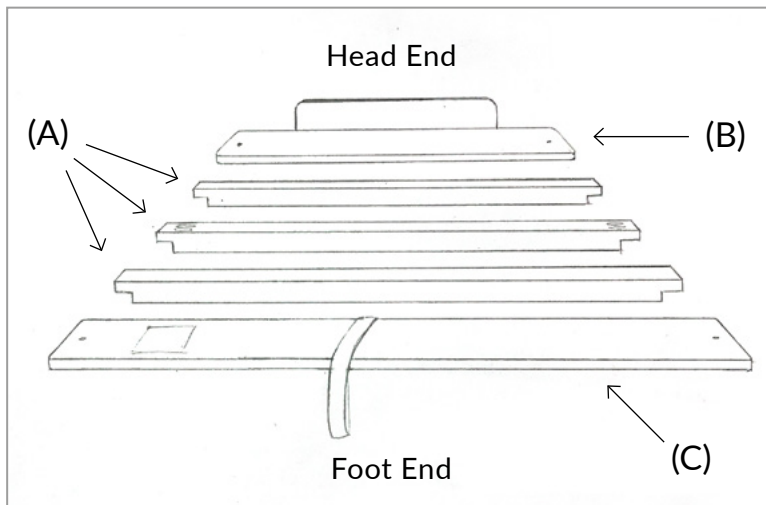


Make sure that the sides of the bed are facing up ↑

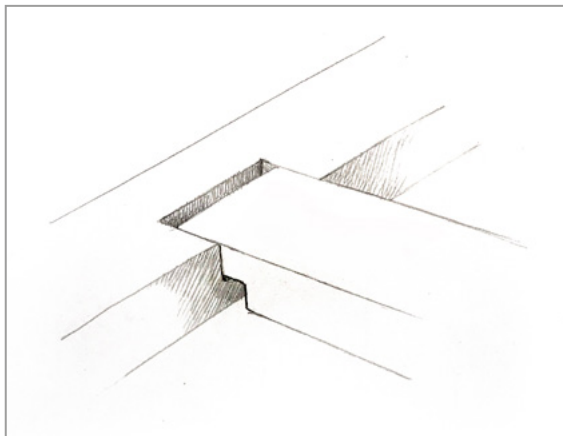


Hook the bracket (C) over the bolts (D), one side at a time, onto the headboard first. Then hook the foot end to the other end of the sides.

5. Unwrap the lightest long package carefully. There are 3x cross beams (A), a slat with ply support (B) and a slat with a handle (C) which will be used later.

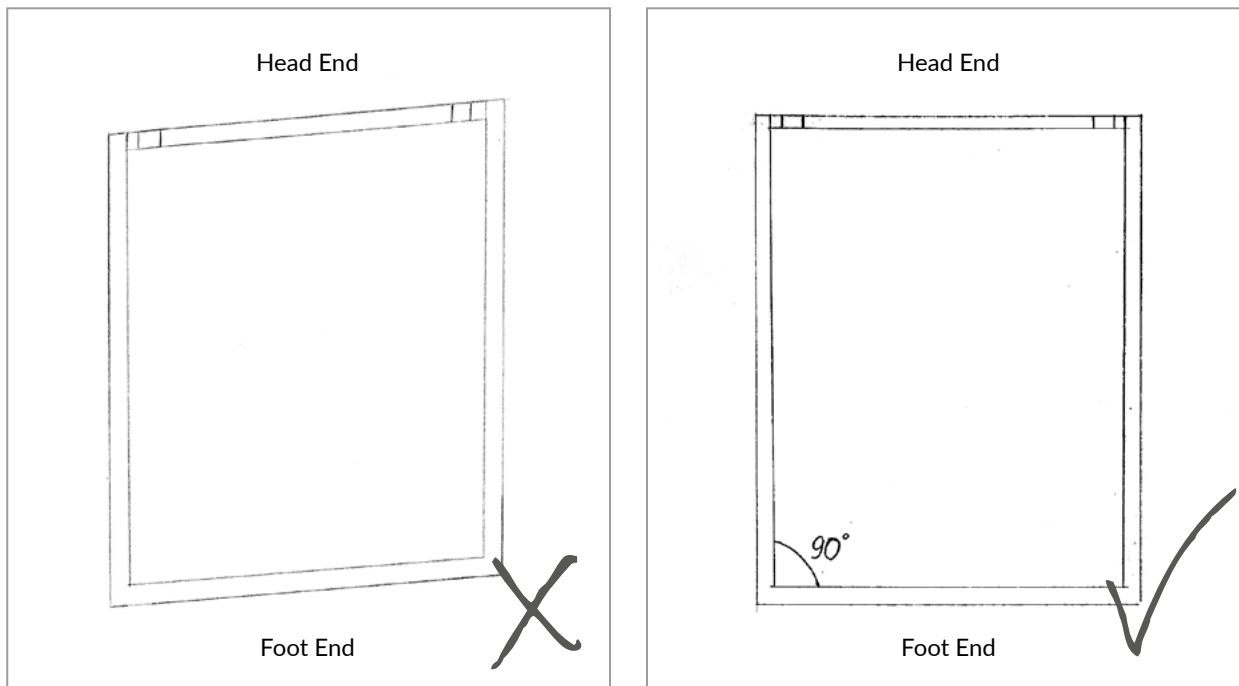


Place the 3x cross beams (A) into the cut out slots which appear on the inside of the side panels, at the bottom.



6. Now using just your fingers tighten all 12 bolts as much as possible all the way around all 4 legs.

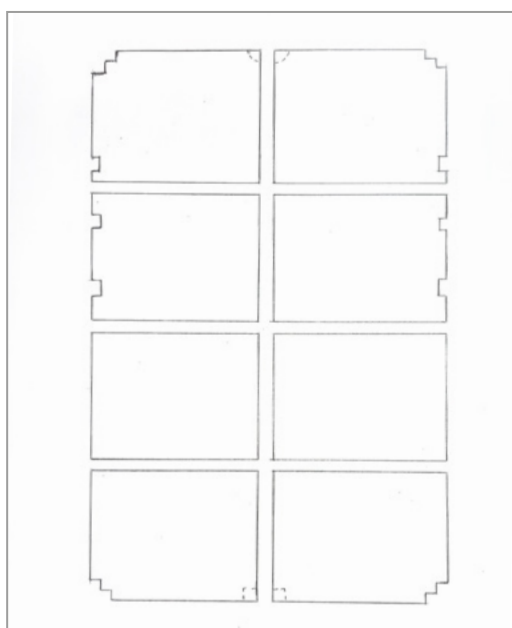
AERIAL VIEW



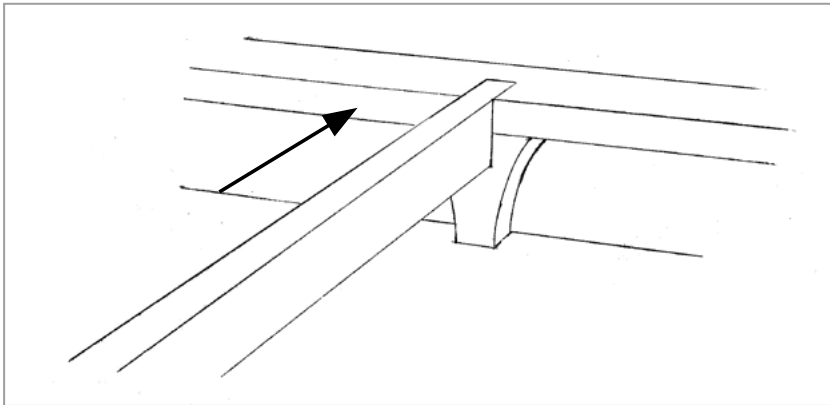
Shown here is an aerial view looking down on your bedframe, please 'square it up' so that it is not ridiculously out of kilt.

Now tighten the 12 bolts firmly (but not super tight) with the allen key provided.

7. Please unwrap the rectangular thin box. Place the 8 base plates into the frame as shown. Starting with the head end first and make your way down to the foot end.



8. If your bed is a super king size or a small super king size (6ft or 5ft 6inch wide) you will need to insert the centre beam.

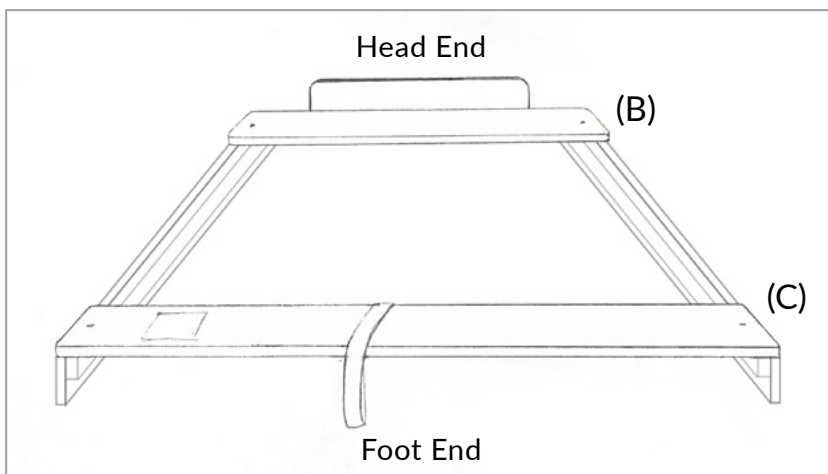


9. Take the 2 slats (head end (B) and foot end (C)) that are available and place them onto the bed as shown.

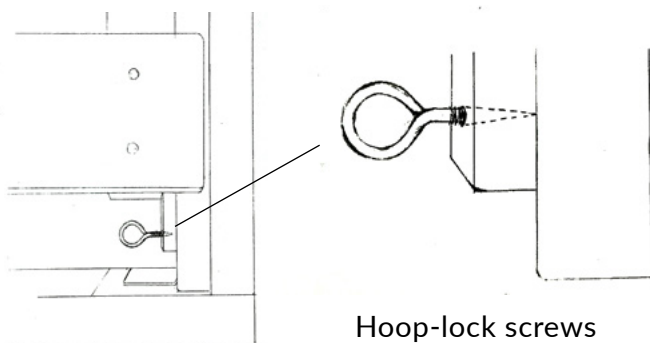
The edge of the head end slat (the ply mattress buffer faces upwards and is at the head end of the bed as shown) should sit at the edge of the lifting mechanism wooden rail.

The foot end slat with the handle should have the label facing upwards that reads 'Please use with a mattress' and should also sit at the edge of the lifting mechanism wooden rail.

The tips of both ends of every slat should equal distance from the sides.

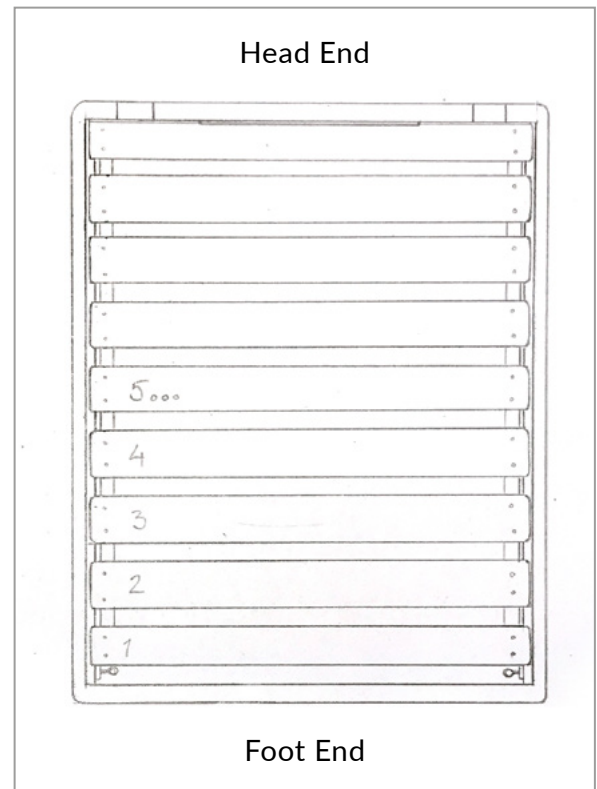
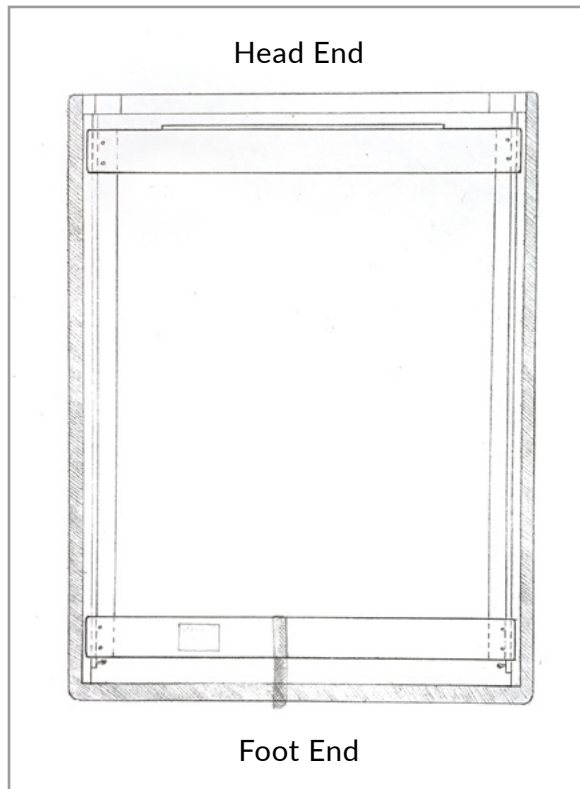


The hoop-lock screws should remain firmly screwed down in place.

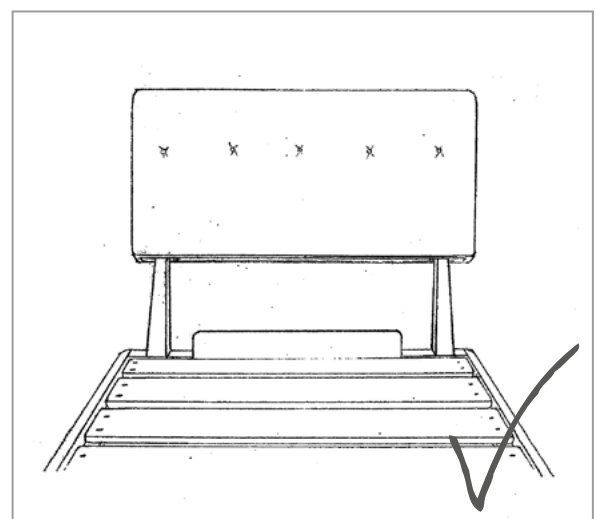
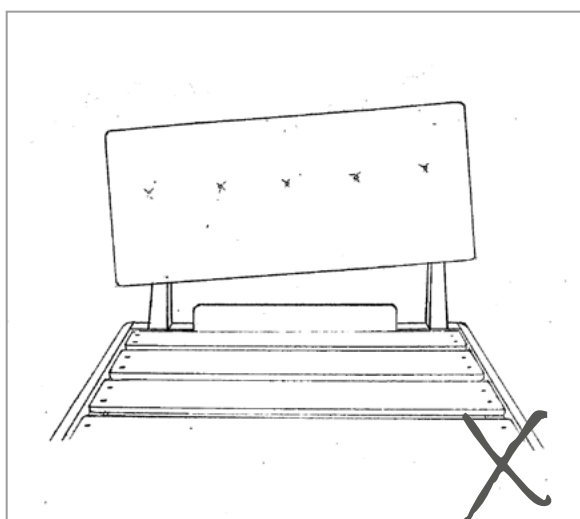


- 10.** Please space the foot end slat appropriately and screw down all 4 screws, and now do the same with the head end slat. Please continue the same process with all of the other slats, which are in the last package to be opened. Please spread these slats out so that they are equally spaced in between the first and last slat.

The tips of both ends of every slat should equal distance from the sides. The hoop-lock screws should remain firmly screwed down in place.



- 11.** With 2 people please lift the headboard up (with clean hands!) and keeping it level, slide it down fully onto the headboard posts.

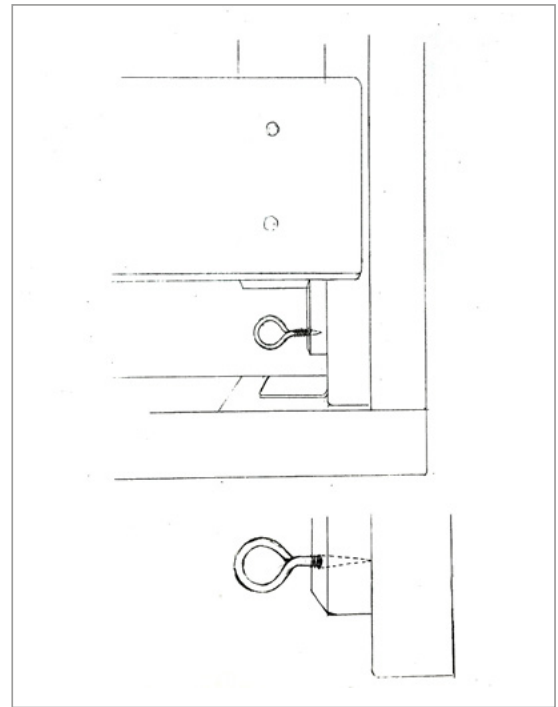


12. IMPORTANT: LAST STEP OF YOUR BED ASSEMBLY

The 2 hoop-lock screws at the foot end of each side of the bed must be completely unscrewed and then screwed back in 4 turns to keep it conveniently located for use whenever your bed is to be moved. Failure to remove far enough before use could scratch the stationary side rail and damage it.

AND THE FIRST STEP IF EVER MOVING /
DISASSEMBLING YOUR BED.

Failure to use it when moving the bed creates an injury risk as this screw keeps the ottoman sides from flipping up unexpectedly.



DISASSEMBLING YOUR BED

The hoop-lock screws shown must be completely screwed in. So that the ottoman can no longer be raised until a mattress is about to be placed on it again for normal use.

To disassemble reverse the order of the assembly instructions, but first number the slats as shown (1, 2, 3, 4, 5 etc...) so that they screw back into the same places when reassembling.

Make sure hands, surfaces are clean and all of the parts of the bed do not get damaged against rough or hard surfaces. Thank you.

