

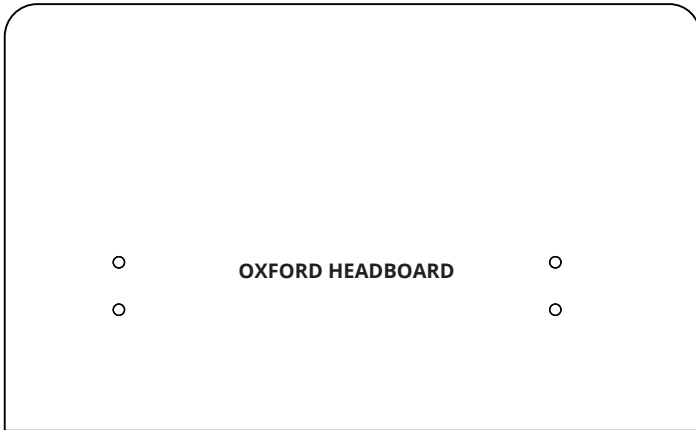
Warren Evans

— BEDS & MATTRESSES —

Assembling your Original Warren Evans bed

YOUR BED PARTS

Your choice of headboard



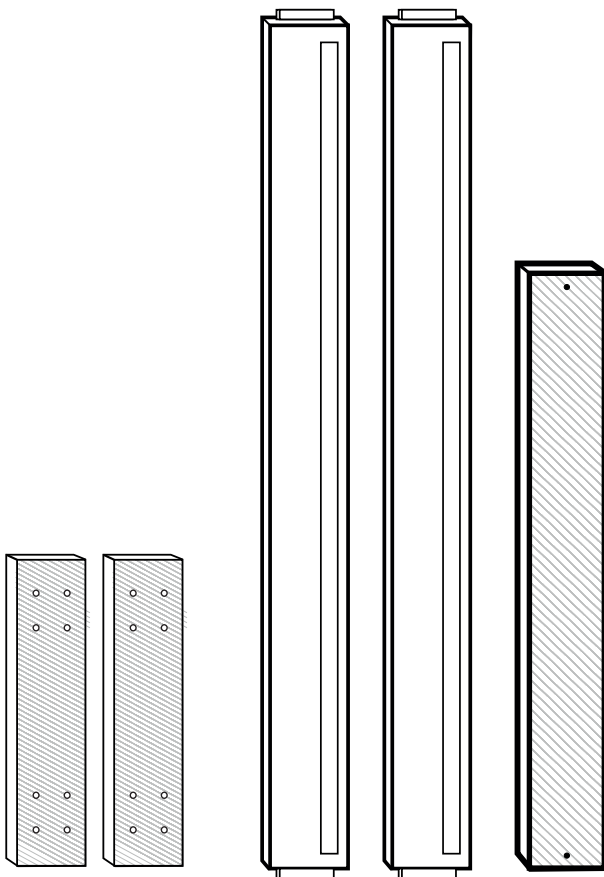
A 8 x 40mm screws (to fix upright supports to headend)

B 8 x washers (to fix uprights to headend)

C 12 x 60mm screws for Legs

D 20 x 40mm screws for Slats

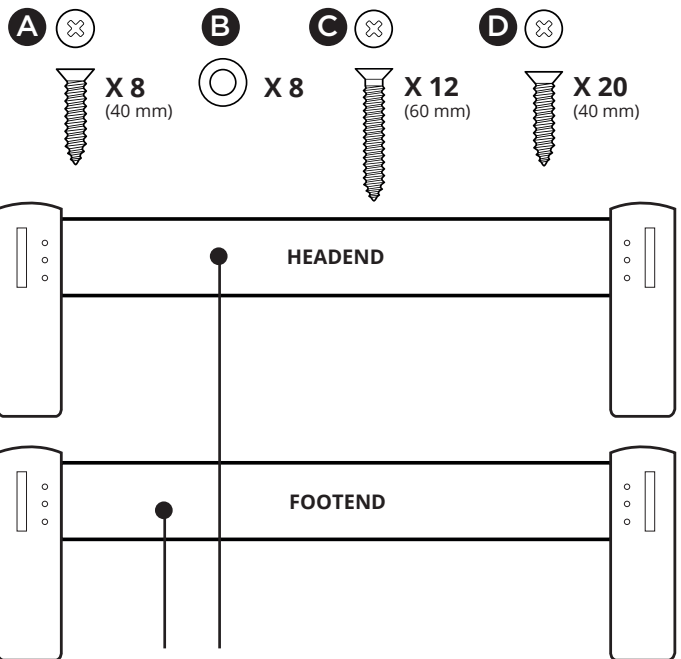
(or 20 x 60mm screws for Slats for 5'6" frames and over)



Headboard
Upright Supports x2
(Attached to Headboard)

SIDES x2

SLATS x10



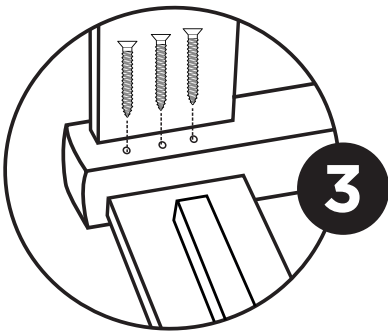
Your footend and headend already come assembled with the legs in place

Please contact our sales team on 020 3927 7777 with any problems

Assembling your Original Warren Evans bed

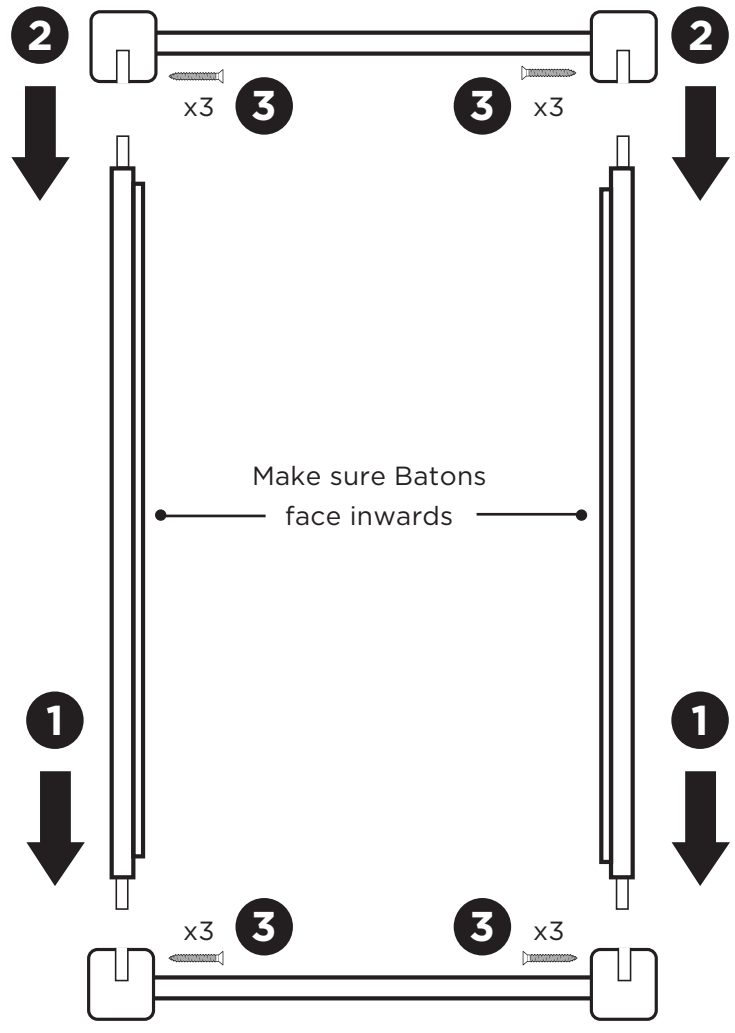
STEP 1: ASSEMBLE THE FRAME (SIDES)

(please use a rug or carpet when assembling to prevent scratching)



Your footend and headend already come assembled with the legs in place. The first step is to attach both the frame sides to the footend and headend.

- 1** Start with the footend first.
 Lay the footend on the floor flat with the grooves facing upwards. Remember to use a rug or carpet to prevent scratching. Slot the end of the side frame into the groove cut-out in the leg and wiggle slightly until the side/s are flush with the legs on the footend, making sure the slat support baton faces inwards. Repeat the other side.
- 2** Place the headend on top and slot in from above pushing downwards until both Headend legs are flush with the sides.
- 3** Then using the 60mm screws provided, insert x 3 screws into the inner face of each leg (as shown above) and screw until tight. The pre-drilled holes are counter sunk and the screw head should sit just below the surface of the leg.



Lay footend on the floor facing upwards
 on a rug or carpet

Then move the bed roughly into the correct position before putting on slats.

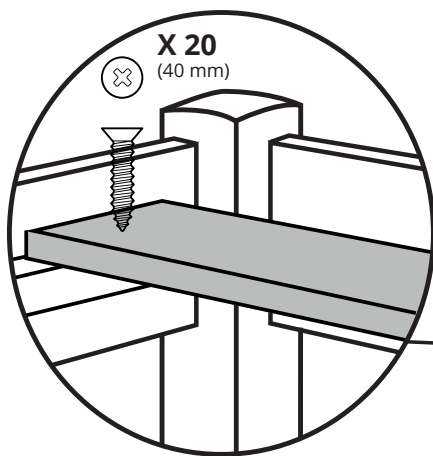
Warren Evans

— BEDS & MATTRESSES —

Assembling your Original Warren Evans bed

STEP 2: ASSEMBLE THE FRAME SLATS

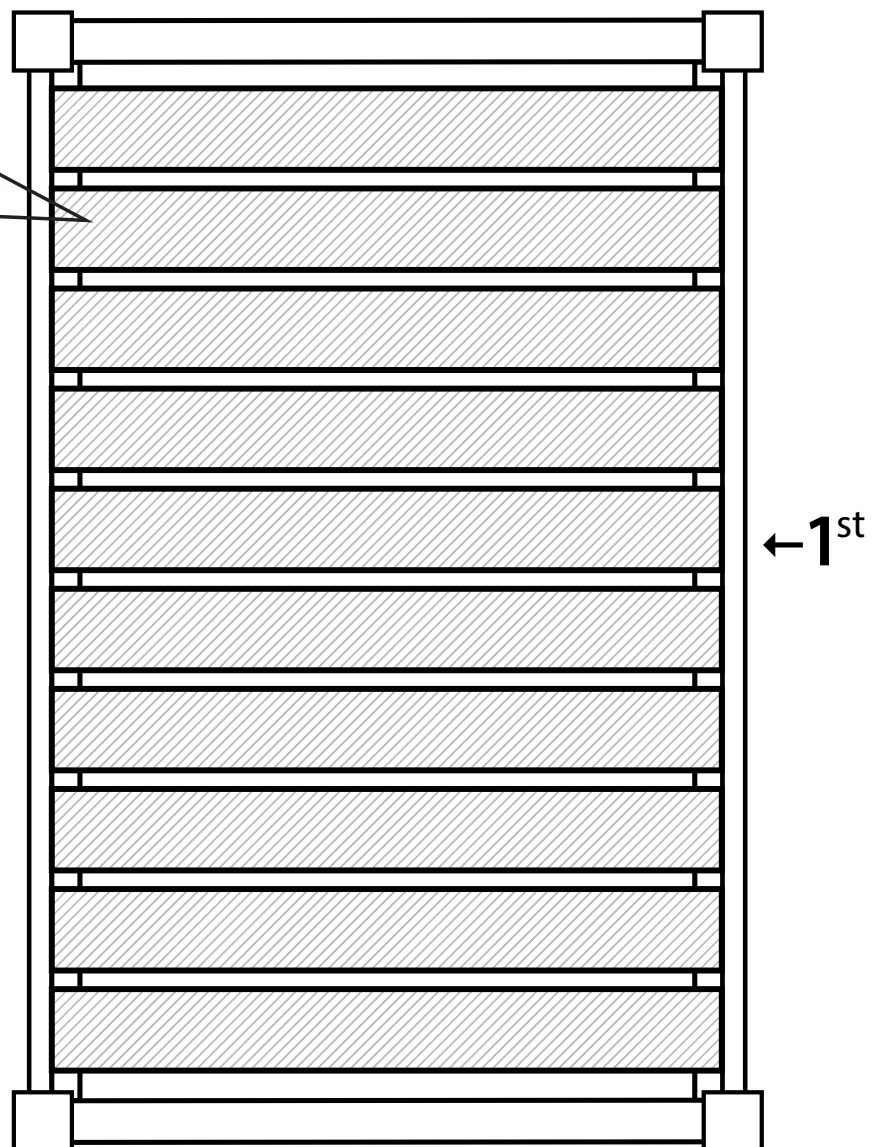
(please use a rug or carpet when assembling to prevent scratching)



Place the slats supplied so that they rest on the side batons. Then using the 40 mm screws supplied, screw each slat down in the pre-drilled screw holes starting from the middle slat, making sure the slats are spaced evenly and securely.

Repeat both sides.

Note: Beds up to 5'0" foot wide use 40mm screws. Slats for 5'6" frames and over use 60mm screws, as the slats are slightly thicker, (correct screws will be supplied according to your bed width purchase).

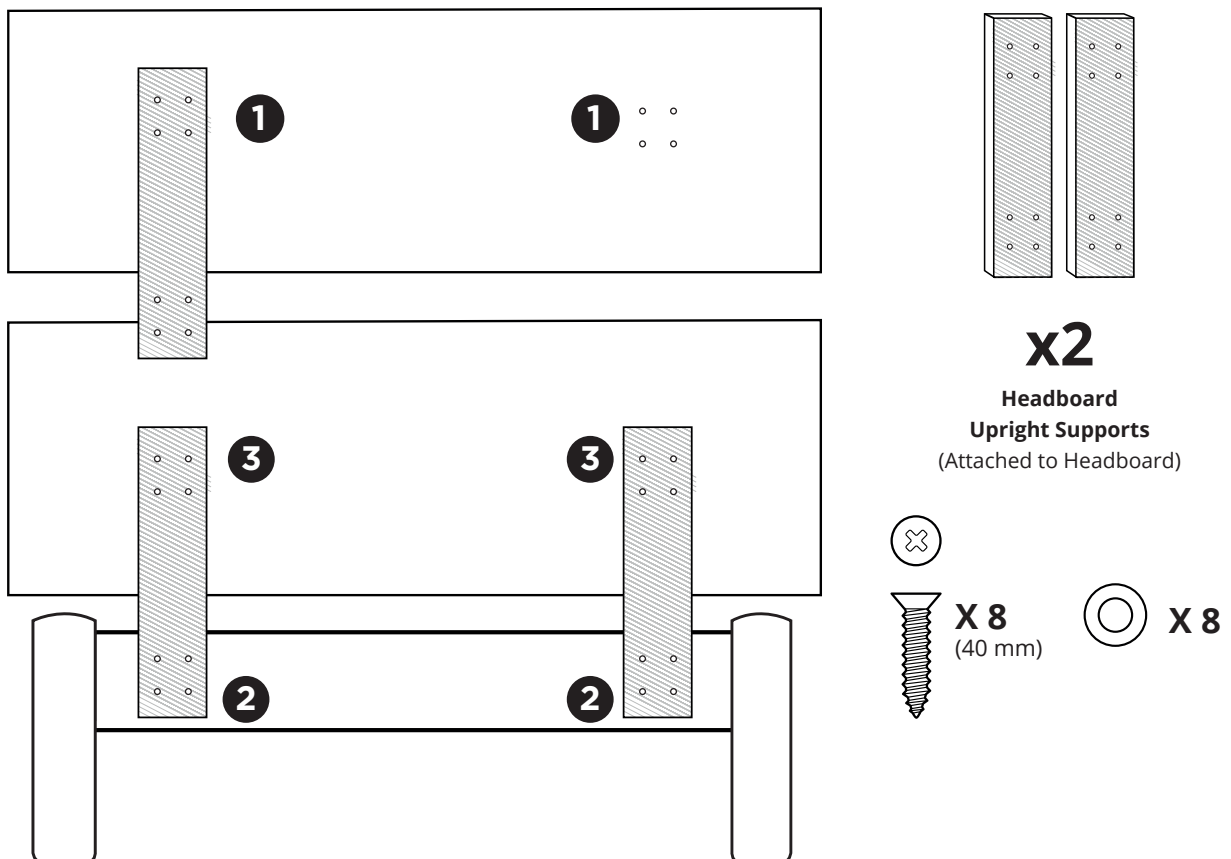


Please contact our sales team on 020 3927 7777 with any problems

Assembling your Original Warren Evans bed

STEP 3: ASSEMBLE YOUR HEADBOARD

(please use a rug or carpet when assembling to prevent scratching)



- 1** Lay the headboard face down so that the back of the headboard is facing upwards, on a rug, carpet or something soft to prevent scratching or damaging the surface of the headboard. Put on the washers and screw the 40mm screws a couple millimetres into the bottom of the headboard uprights in the pre-drilled holes .
- 2** Pick up the headboard and rest the bottom of the uprights on the small lip on the headend.
- 3** Position the headboard so that the inside of both of the uprights is flush with the edge of the wooden block. Screw in the 40mm screws that you have pre-screwed into the uprights into the headend.
- 4** Position your bed in the room where you want it. Do not drag the bed and if possible use 2 people to move. Place your mattress on the bed frame.

Please contact our sales team on 020 3927 7777 with any problems