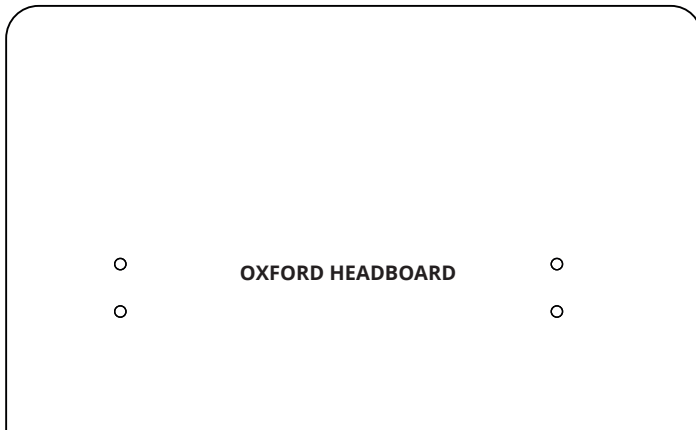


## Assembling your Original Warren Evans bed

### YOUR BED PARTS

Your choice of headboard



4 x Hex screws 20mm (to fix headboard)

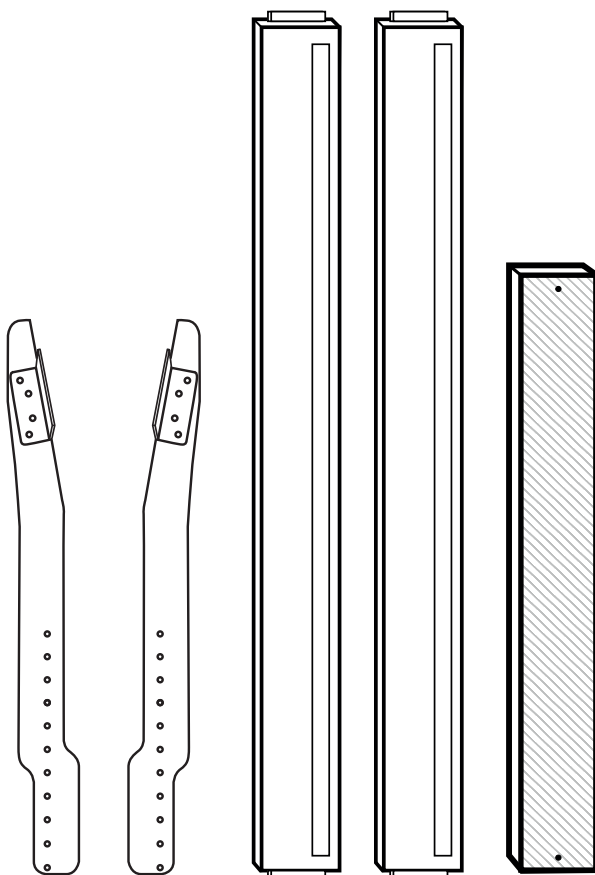
4 x Hex screws 40mm (to fix upright supports to headend)

12 x 60mm screws for Legs

20 x 40mm screws for Slats

(or 20 x 60mm screws for Slats for 5'6" frames and over)

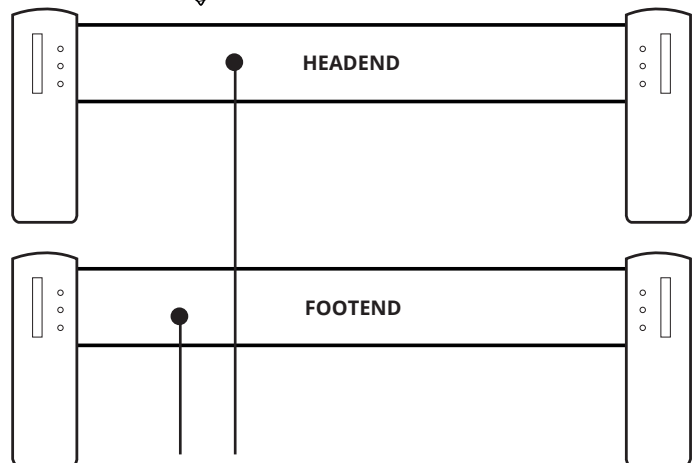
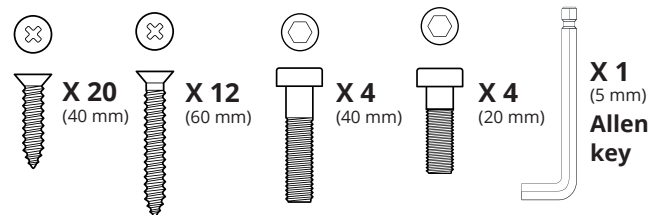
Allen key and Hex bolts are only supplied if you have a headboard,  
if you haven't ordered a headboard they are not supplied



HEADBOARD  
UPRIGHT SUPPORTS x2

SIDES x2

SLATS x10

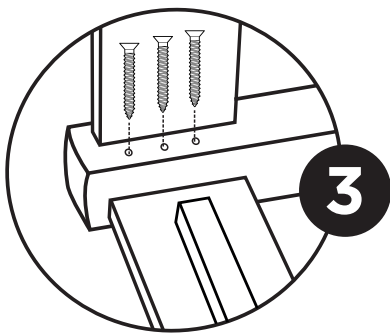


Your footend and headend already come  
assembled with the legs in place

## Assembling your Original Warren Evans bed

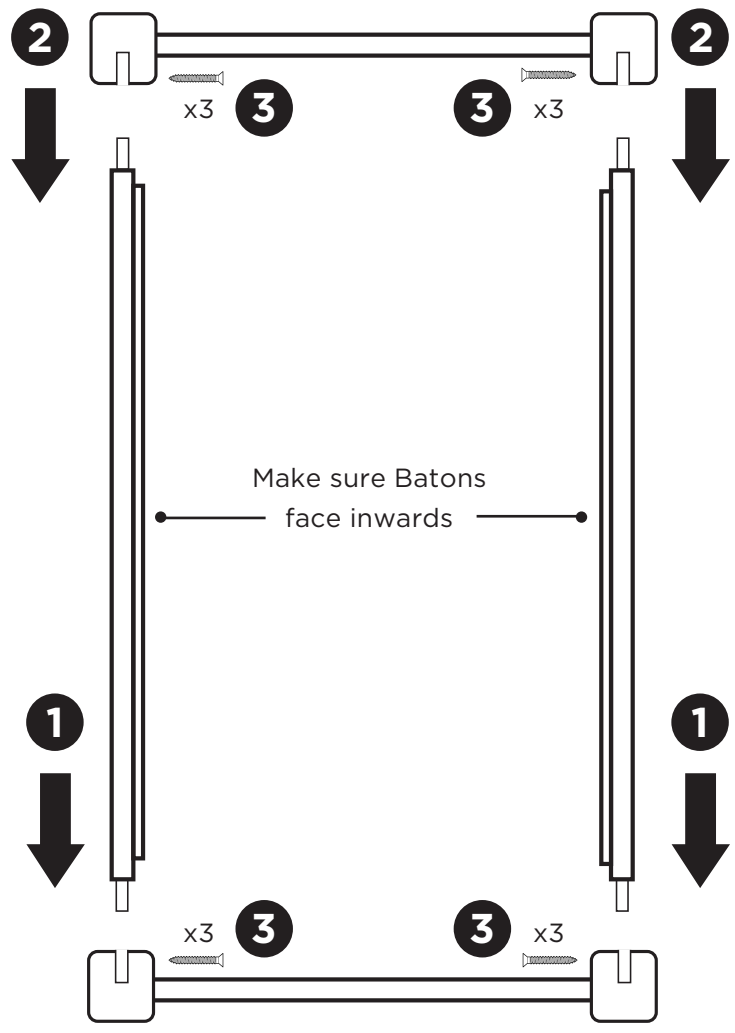
### STEP 1: ASSEMBLE THE FRAME (SIDES)

(please use a rug or carpet when assembling to prevent scratching)



Your footend and headend already come assembled with the legs in place. The first step is to attach both the frame sides to the footend and headend.

- 1** Start with the footend first.  
 Lay the footend on the floor flat with the grooves facing upwards. Remember to use a rug or carpet to prevent scratching. Slot the end of the side frame into the groove cut-out in the leg and wiggle slightly until the side/s are flush with the legs on the footend, making sure the slat support baton faces inwards. Repeat the other side.
- 2** Place the headend on top and slot in from above pushing downwards until both Headend legs are flush with the sides.
- 3** Then using the 60mm screws provided, insert x 3 screws into the inner face of each leg (as shown above) and screw until tight. The pre-drilled holes are counter sunk and the screw head should sit just below the surface of the leg.



Lay footend on the floor facing upwards  
 on a rug or carpet

Then move the bed roughly into the correct position before putting on slats.

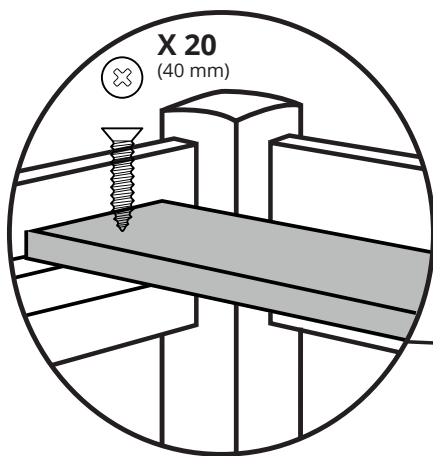
# Warren Evans

— BEDS & MATTRESSES —

## Assembling your Original Warren Evans bed

### STEP 2: ASSEMBLE THE FRAME SLATS

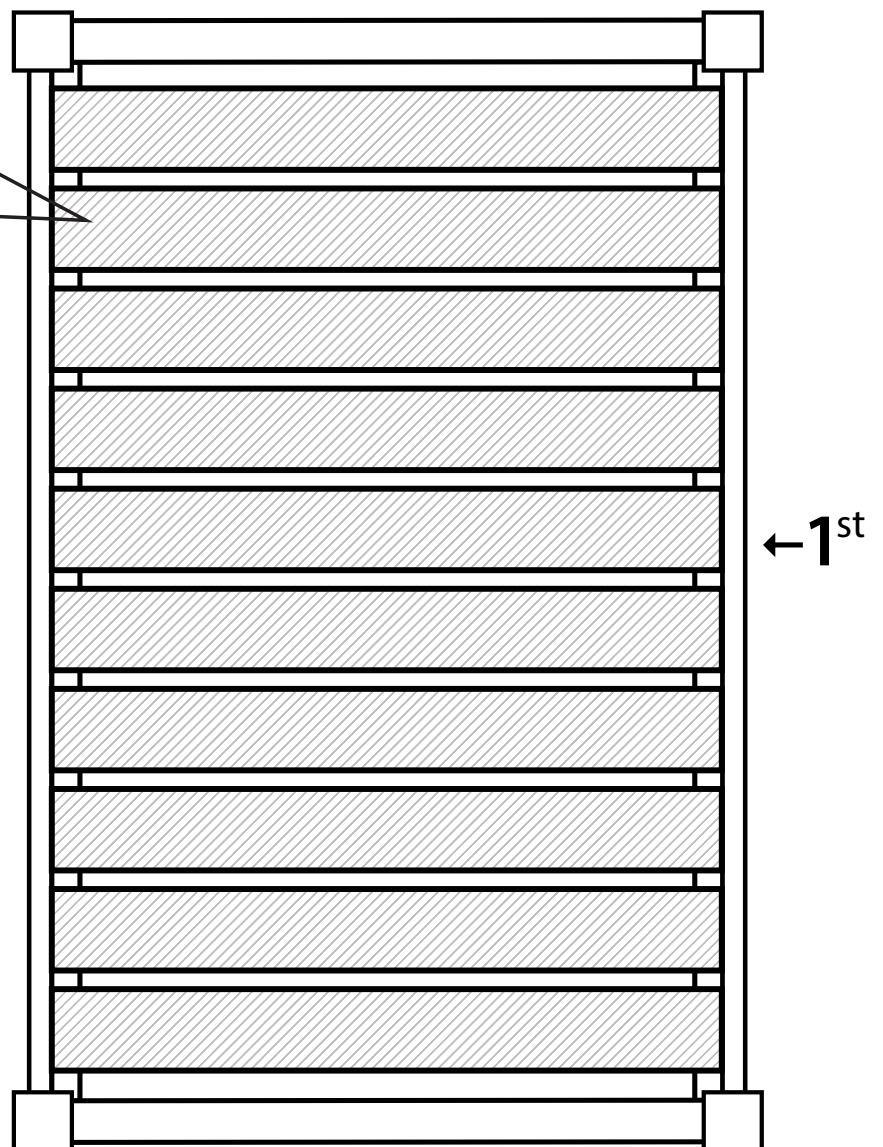
(please use a rug or carpet when assembling to prevent scratching)



Place the slats supplied so that they rest on the side batons. Then using the 40 mm screws supplied, screw each slat down in the pre-drilled screw holes starting from the middle slat, making sure the slats are spaced evenly and securely.

Repeat both sides.

**Note:** Beds up to 5'0" foot wide use 40mm screws. Slats for 5'6" frames and over use 60mm screws, as the slats are slightly thicker, (correct screws will be supplied according to your bed width purchase).

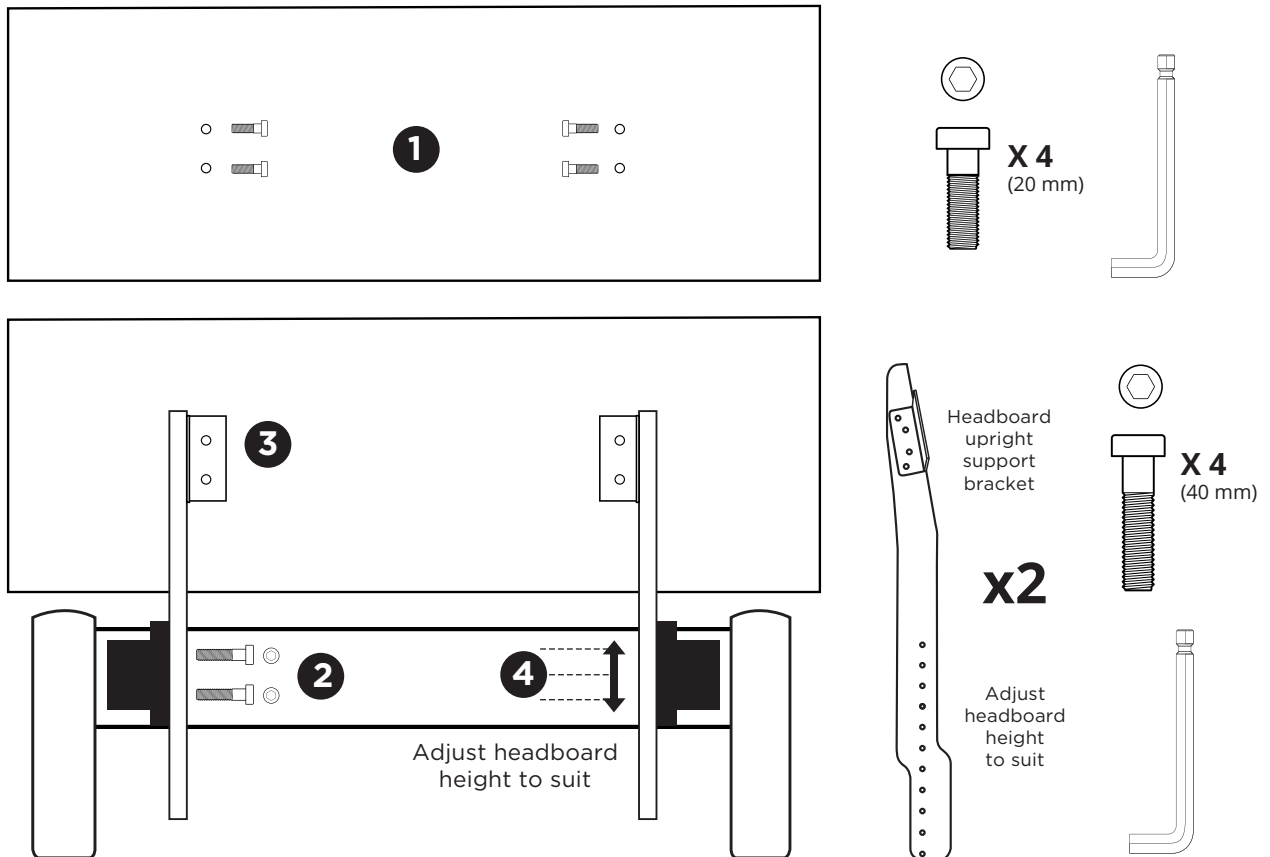


Please contact our sales team on 020 3927 7777 with any problems

## Assembling your Original Warren Evans bed

### STEP 3: ASSEMBLE YOUR HEADBOARD

(please use a rug or carpet when assembling to prevent scratching)

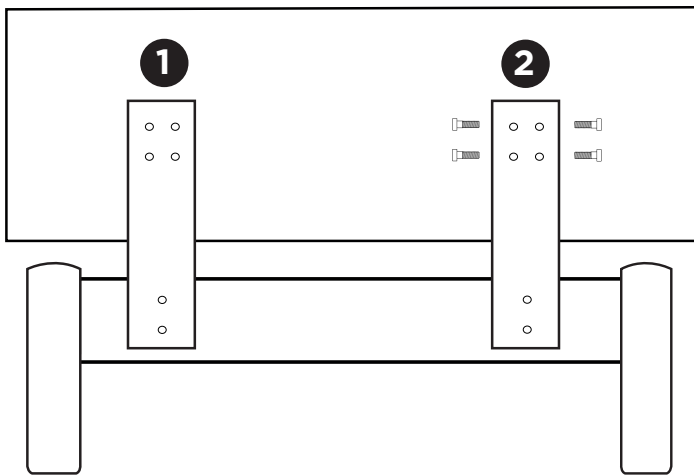


- 1** Lay the headboard face down so that the back of the headboard is facing upwards, on a rug, carpet or something soft to prevent scratching or damaging the surface of the headboard. Screw the 20mm Hex screws into the back of the headboard in the pre-drilled holes using the allen key provided and tighten securely.
- 2** Fix the headboard upright supports in position using the 40 mm Hex screws and allen key provided. Repeat for both upright supports.
- 3** Position the headboard so that the screws in the headboard slot into the metal brackets on the supports and tighten securely on both supports using the allen key.
- 4** Place your mattress on the frame and slats and adjust your headboard height to suit. To adjust the headboard height, simply unscrew the 40mm hex screws positioned in step 2 and choose your correct height by placing the hex screws into the new position and tighten the bolts securely using the allen key provided. **Remove the mattress and position your bed in the room where you want it. Do not drag the bed and if possible use 2 people to move.**

## Assembling your Original Warren Evans bed

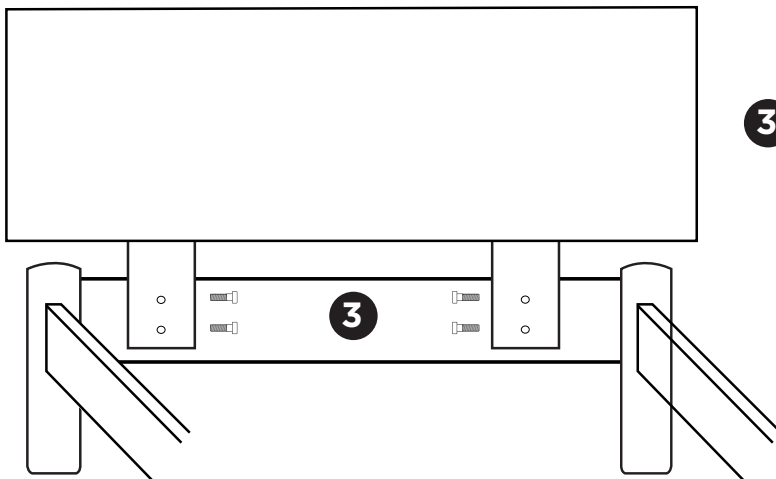
### STEP 3A: ASSEMBLE YOUR (FLAT) HEADBOARD

(please use a rug or carpet when assembling to prevent scratching)

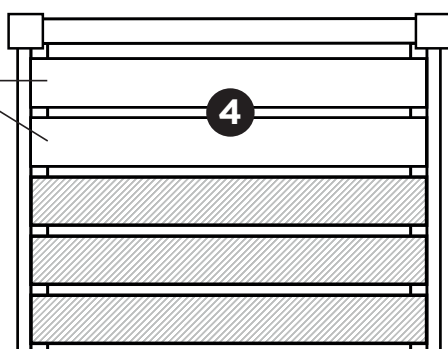
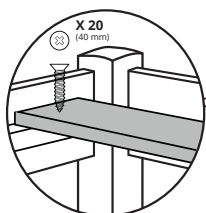


**1** Position your headboard so the bottom of the headboard uprights are flat against the bottom of the headend of the bed. This will require 2 people to do so.

**2** Screw in x4 screws in each upright. Total of x8 screws in the uprights.



**3** At the front of the headend of the bed, screw in x2 screws in each upright, as shown in the picture. Total of x4 screws at the front.



**4** Once the headboard is secured in, place down the last 2 remaining slats and screw them in.